

BALDOR® • RELIANCE 

Product Information Packet

JPL1511T

10HP,3450RPM,1PH,60HZ,215JP,3740L,OPEN

Part Detail							
Revision:	AY	Status:	PRD/A	Change #:		Proprietary:	No
Type:	AC	Elec. Spec:	37WG047	CD Diagram:	CD0017A01	Mfg Plant:	
Mech. Spec:	37E285	Layout:	37LYE285	Poles:	02	Created Date:	
Base:	RG	Eff. Date:	07-18-2019	Leads:	2#8 A PH,2#14 B PH		

Specs			
Catalog Number:	JPL1511T	Inverter Code:	Not Inverter
Enclosure:	OPEN	KVA Code:	G
Frame:	215JP	Lifting Lugs:	Standard Lifting Lugs
Frame Material:	Steel	Locked Bearing Indicator:	Locked Bearing
Output @ Frequency:	10.000 HP @ 60 HZ	Motor Lead Quantity/Wire Size:	2 @ 8 AWG, A PH
Synchronous Speed @ Frequency:	3600 RPM @ 60 HZ	Motor Lead Exit:	Ko Box
Voltage @ Frequency:	230.0 V @ 60 HZ	Motor Lead Termination:	Flying Leads
XP Class and Group:	None	Motor Type:	3740L
XP Division:	Not Applicable	Mounting Arrangement:	F1
Agency Approvals:	CSA	Power Factor:	86
	UR	Product Family:	General Purpose
Auxillary Box:	No Auxillary Box	Pulley End Bearing Type:	Ball
Auxillary Box Lead Termination:	None	Pulley Face Code:	C-Face
Base Indicator:	Rigid	Pulley Shaft Indicator:	Tapped & Key
Bearing Grease Type:	Polyrex EM (-20F +300F)	Rodent Screen:	Included
Blower:	None	Shaft Extension Location:	Pulley End
Current @ Voltage:	46.000 A @ 230.0 V	Shaft Ground Indicator:	No Shaft Grounding
	48.000 A @ 208.0 V	Shaft Rotation:	Reversible

Design Code:	L	Shaft Slinger Indicator:	Shaft Slinger
Drip Cover:	No Drip Cover	Speed Code:	Single Speed
Duty Rating:	CONT	Motor Standards:	NEMA
Electrically Isolated Bearing:	Not Electrically Isolated	Starting Method:	Direct on line
Feedback Device:	NO FEEDBACK	Thermal Device - Bearing:	None
Front Face Code:	Standard	Thermal Device - Winding:	None
Front Shaft Indicator:	None	Vibration Sensor Indicator:	No Vibration Sensor
Heater Indicator:	No Heater	Winding Thermal 1:	None
Insulation Class:	F	Winding Thermal 2:	None

Nameplate NP1256L										
CAT.NO.	JPL1511T									
SPEC.	37E285X47									
HP	10									
VOLTS	230									
AMP	46									
RPM	3450									
FRAME	215JP				HZ	60			PH	1
SER.F.	1.15		CODE	G	DES	L		CLASS	F	
NEMA-NOM-EFF	83		PF	86						
RATING	40C AMB-CONT									
CC								USABLE AT 208V	48	
DE	6309				ODE	6206				
ENCL	OPEN		SN							

Parts List		
Part Number	Description	Quantity
SA030739	SA 37E285X47	1.000 EA
RA026778	RA 37E285X47	1.000 EA
HA6361A01	LIFTING LUG FOR 37, 39 & 40 FRAME ZINC	2.000 EA
37CB3004	37 CB CASTING W/1.09 LEAD HOLE @ 6:00	1.000 EA
51XW2520A12	.25-20 X .75, TAPTITE II, HEX WSHR SLTD	2.000 EA
11XW1032G06	10-32 X .38, TAPTITE II, HEX WSHR SLTD U	1.000 EA
37EP3203D00	MASTER,ODE,206 BRG,GREASER,RELIEF	1.000 EA
HW4500A01	1641B(ALEMITE)400 UNIV, GREASE FITT	1.000 EA
HW4500A17	317400 ALEMITE GREASE RELIEF	1.000 EA
HA1104A01	RODENT SCREEN 37 FRAME 206 BRG FRONT END	1.000 EA
51XW1032A06	10-32 X .38, TAPTITE II, HEX WSHR SLTD S	4.000 EA
HW1000A10	#10 FLAT WASHER (SAE)	4.000 EA
SP1008A01	BAFFLE, MODEL 36 & 37	1.000 EA
13XF0832A08	8-32 X.50 PAN HD,SLTD, TYPE F SCREW, ZIN	2.000 EA
10XN2520A10	1/4-20X 5/8 HEX HD X	2.000 EA
HW1001A25	LOCKWASHER 1/4, ZINC PLT .493 OD, .255 I	2.000 EA
XY3118A12	5/16-18 HEX NUT DIRECTIONAL SERRATION	4.000 EA
HW5100A06	W2420-025 WVY WSHR (WB)	1.000 EA
37EP3401A06	PUEP OPEN 309 BRG W/BAFF, SLINGER, SCREE	1.000 EA
HW4500A01	1641B(ALEMITE)400 UNIV, GREASE FITT	1.000 EA
HW4500A17	317400 ALEMITE GREASE RELIEF	1.000 EA
37AD2000A02	BAFFLE PLATE, STAMPED PLATED	1.000 EA
60XW0632A06	6-32 X 3/8 TORX HEAD SCREW TAPTITE II	4.000 EA
HA1222	RODENT SCREEN - 37 C-FACE MOTORS	4.000 EA

Parts List (continued)		
Part Number	Description	Quantity
51XW1032A06	10-32 X .38, TAPTITE II, HEX WSHR SLTD S	4.000 EA
HW1000A10	#10 FLAT WASHER (SAE)	4.000 EA
10XN2520A36	1/4-20X 2 1/4 HEX HD X	4.000 EA
HW1001A25	LOCKWASHER 1/4, ZINC PLT .493 OD, .255 I	4.000 EA
37CB4516	LIPPED LID FOR 37 FRAME NEC KOBX	1.000 EA
51XW0832A07	8-32 X .44, TAPTITE II, HEX WSHR SLTD SE	4.000 EA
HA2009A02	SLINGER MODEL 37 PUMP MOTORS-2.75 DIA. A	1.000 EA
80XN1032A06	10-32 X 3/8 SET SC HEX SOCK	1.000 EA
85XU0407S04	4X1/4 U DRIVE PIN STAINLESS	2.000 EA
LB1115N	LABEL,LIFTING DEVICE (ON ROLLS)	1.000 EA
MJ1000A02	GREASE, MOBIL POLYREX EM - 124047	0.050 LB
MG1000G27	MED CHARCOAL METALLIC GREY 400-0096	0.028 GA
SP5172A01	37 TYPE L TORQ STAT SWITCH LEAD ASSEMBLY	1.000 EA
37CB5007A01	CAPACITOR BOX KIT, 37CB3802, 3 EC1216C0	1.000 EA
HA3104A35	THRUBOLT .31-18 X 13.687	4.000 EA
LB1119N	WARNING LABEL	1.000 EA
LC0017	CONN LABEL-1 PHASE-SINGLE VOLT-REV ROTNO	1.000 EA
NP1256L	ALUM UL CSA CC INDUSTRIAL MOTOR A60	1.000 EA
07PA1007	PKG GRP, PRINT PK1156A06	1.000 EA
MN416A01	TAG-INSTAL-MAINT no wire (1200/bx) 3/19	1.000 EA
FE-0000001	ZRTG FE ASSEMBLY	1.000 EA

AC Induction Motor Performance Data

Record # 11971 - Typical performance - not guaranteed values

Winding: 37WGX047-R001	Type: 3740L	Enclosure: OPEN
-------------------------------	--------------------	------------------------

Nameplate Data				230 V, 60 Hz: Single Voltage Motor	
Rated Output (HP)	10			Full Load Torque	15 LB-FT
Volts	230			Start Configuration	direct on line
Full Load Amps	46			Breakdown Torque	46.4 LB-FT
R.P.M.	3450			Pull-up Torque	27.6 LB-FT
Hz	60	Phase	1	Locked-rotor Torque	30.6 LB-FT
NEMA Design Code	L	KVA Code	G	Starting Current	280 A
Service Factor (S.F.)	1.15			No-load Current	19.3 A
NEMA Nom. Eff.	83	Power Factor	86	Line-line Res. @ 25°C	0.163 Ω A Ph 0.728 Ω B Ph
Rating - Duty	40C AMB-CONT			Temp. Rise @ Rated Load	100°C
S.F. Amps				Temp. Rise @ S.F. Load	115°C

Load Characteristics 230 V, 60 Hz, 10 HP

% of Rated Load	25	50	75	100	125	150	S.F.
Power Factor	56	72	82	86	88	87	87
Efficiency	63	79.3	81.1	83.7	82.8	80.7	83.2
Speed	3587	3570	3552	3536	3512	3482	3522
Line amperes	23.5	29	37.2	45.5	55.6	68.6	51.6

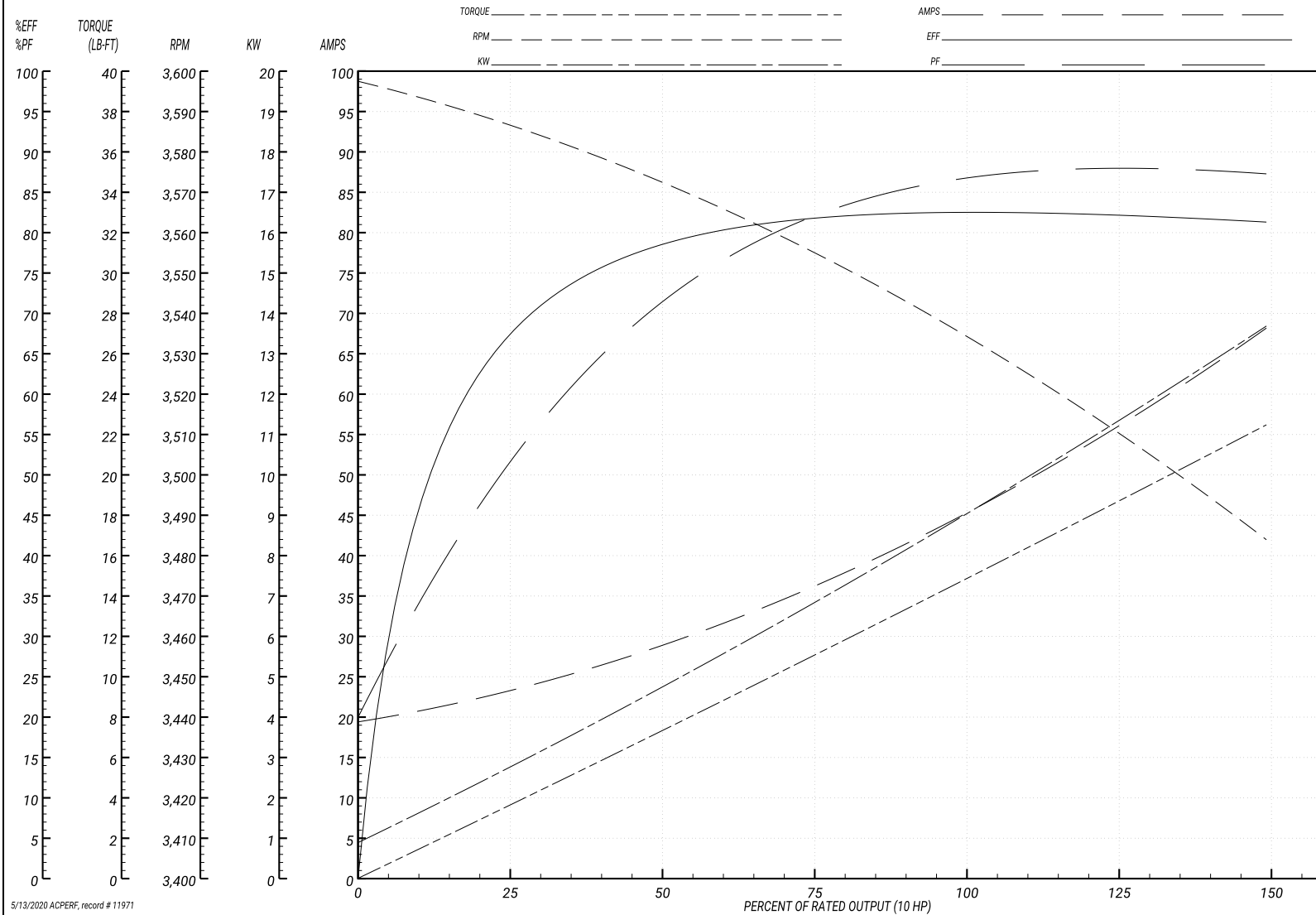
Performance Graph at 230V, 60Hz, 10.0HP Typical performance - Not guaranteed values

ABB Motors and Mechanical Inc.

WINDING # 37WGx047

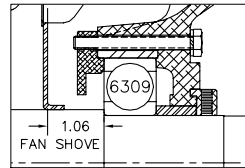
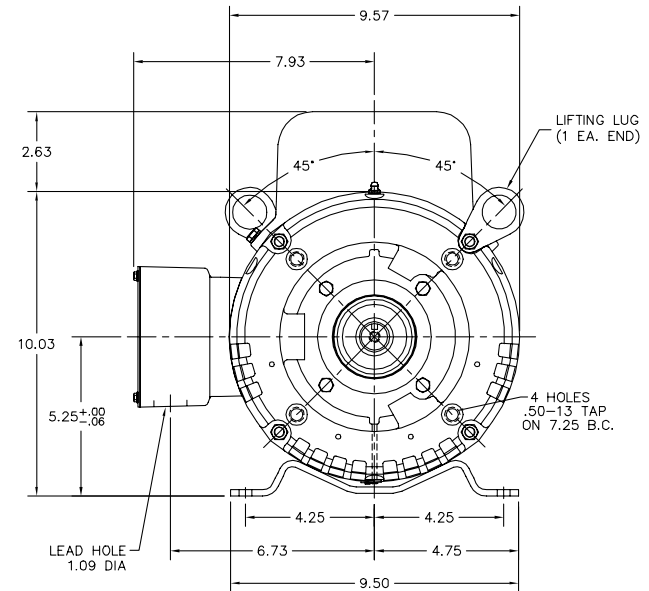
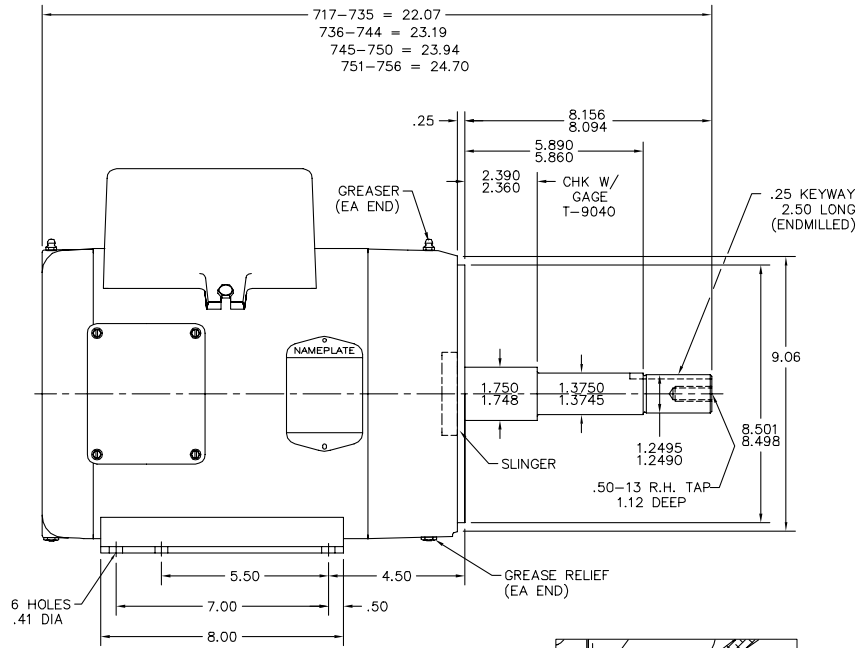
Typical performance - not guaranteed values.

10 HP 1 PH 60 HZ 3450 RPM 230 V 3740L
 TORQUES(LB-FT): PO=46.4 PU=27.6 LR=30.6 LRA=280



5/13/2020 ACPERF, record # 11971

37LYE285



PULLEY END DETAIL

CUSTOMER IS RESPONSIBLE FOR DETERMINING THAT BALDOR'S PRODUCT WILL PERFORM SUITABLY IN THE INTENDED APPLICATION.

REV. DESC: REPLACE ENDPLATES	VERSION: 02	TDR: 000001018975
REV. LTR: M	REVISED: 04:44:36 03/16/2017	BY: USZAHAR
FILE: \AAA\00009\712		
MTL: -		

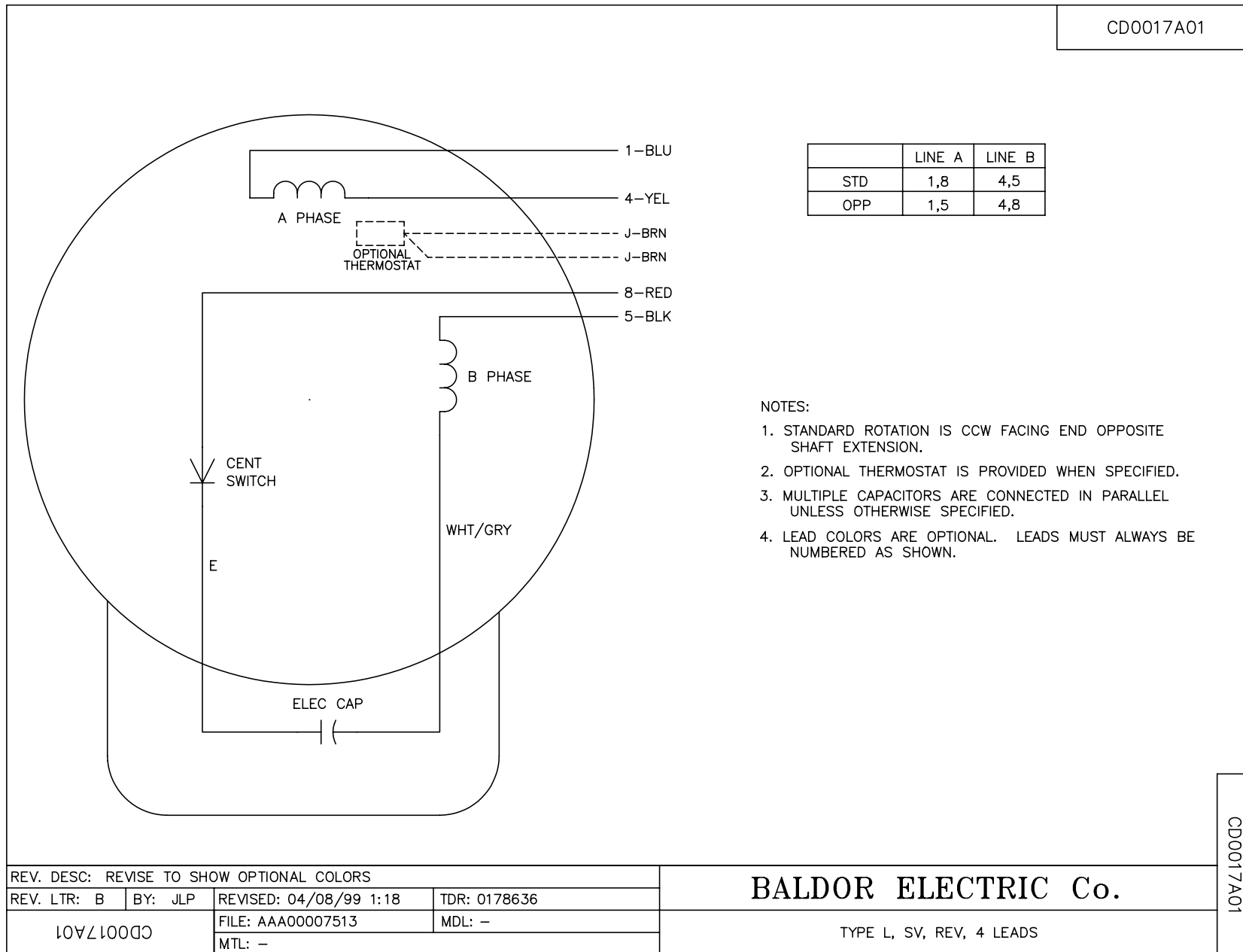
BALDOR

HORZ 213-5JP OPEN 37L-LC W/SCREENS, LIFTING LUGS

SH 1 of 1

37LYE285

CDO017A01



REV. DESC: REVISE TO SHOW OPTIONAL COLORS			
REV. LTR: B	BY: JLP	REVISED: 04/08/99 1:18	TDR: 0178636
CDO017A01		FILE: AAA00007513	MDL: -
		MTL: -	

BALDOR ELECTRIC Co.

TYPE L, SV, REV, 4 LEADS

CDO017A01